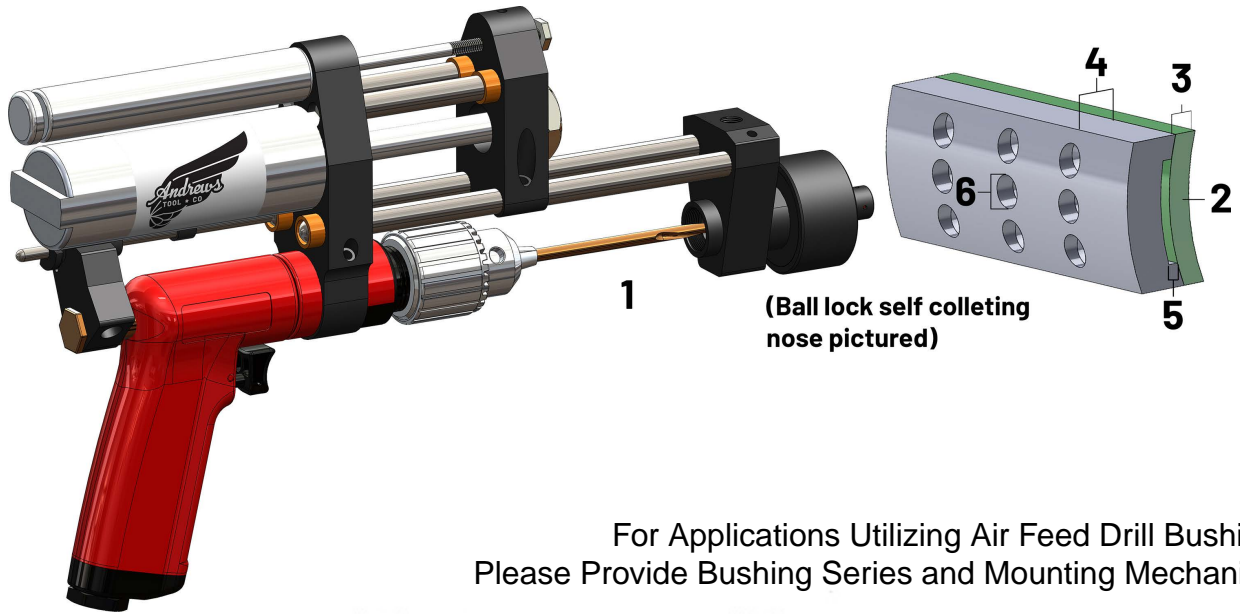


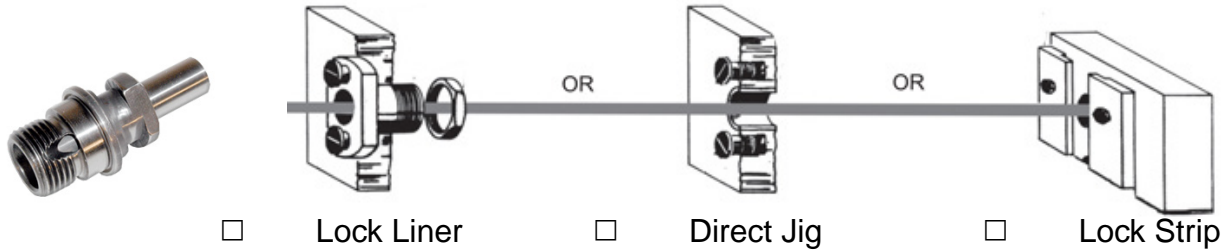
Application Details

Name:
Date:
Company:
Phone:
Email:



1 (Ball lock self colleting nose pictured)

For Applications Utilizing Air Feed Drill Bushings
Please Provide Bushing Series and Mounting Mechanism:



Lock Liner

Direct Jig

Lock Strip

1. Drill Diameter	
Drill Length (OAL)	
Drill Flute Length	
2. Material Type <i>(if drilling through a stack, please list all)</i>	
3. Material Thickness	
4. Tooling Plate Thickness	
5. Tooling Plate Standoff <i>(Min Recommended Relief 1 x Drill Diameter)</i>	
6. Liner Bushing Diameter	
Liner Bushing Length	
7. Additional Comments	

Optional Features: *(check all that apply)*

- Ball Lock Self Colleting Nose
Provide Nose Diameter: _____
- Air Feed Bushing Series *(check one)*
 - 21,000 24,000
 - 22,000 25,000
 - 23,000
- Knob Lock Transfer Housing
- Adjustable Automatic Shutoff
- Floating Spindle Adapter
- Manual Peck Switch
- Vacuum Attachment
- Dead Handle
- On/Off Switch
 - Button Slide
 - Slide
 - Ball Valve
- Adjustable Air Restrictor
- Safety Guard
- Balancer Ready
- Mini Piggy Back Lubricator
- Air Blast
- Coolant Through Collet Adapter